

# RSM/RCS-Series, Low Height Cylinders

▼ Shown from left to right: RSM-1000, RSM-300, RSM-50, RCS-1002, RCS-302

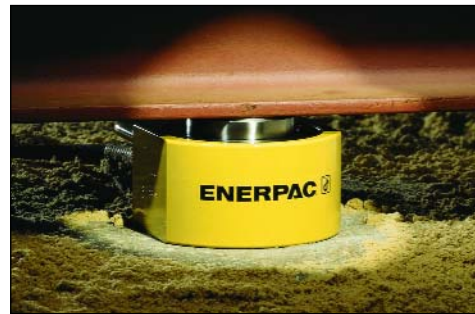


## Maximum Power to Height Ratio

**Saddles**  
All RCS-Series cylinders have plunger mounting holes for installation of tilt saddles. See table for selection and dimensional information.  
*Page: 17*

**Machine Lift**  
In very confined work areas a machine lift often offers the solution for lifting the first few inches.  
*Page: 175*

▼ Only a couple of inches are needed for an RSM-cylinder to lift this large steel construction.



### RSM-series, Flat-Jac® Cylinders

- Compact, flat design for use where other cylinders will not fit
- RSM-750, 1000 and 1500 have handles for easy carrying
- Mounting holes permit easy fixturing
- Baked enamel finish for increased corrosion resistance
- CR-400 coupler and dust cap included on all models\*
- Hard chrome plated high quality steel plungers
- Grooved plunger ends require no saddle
- Single-acting spring return

### RCS-series, Low Height Cylinders

- Lightweight, low profile design for use in confined spaces
- Baked enamel finish for increased corrosion resistance
- Plunger wiper reduces contamination, extending cylinder life
- CR-400 coupler and dust cap included on all models
- Grooved plunger end with threaded holes for mounting tilt saddles
- Integral handle on RCS-1002 for easy carrying
- Plated steel plungers
- Single-acting spring return

Cylinder Capacity (tons)	Stroke (in)	Model Number	Cyl. Effect. Area (in <sup>2</sup> )	Oil Cap. (in <sup>3</sup> )
5 [5]	.25	RSM-50*	.99	.25
10 [11]	.44	RSM-100	2.24	.98
20 [22]	.44	RSM-200	4.43	1.94
30 [32]	.50	RSM-300	6.49	3.25
50 [48]	.63	RSM-500	9.62	6.01
75 [80]	.63	RSM-750	15.90	9.94
100 [98]	.63	RSM-1000	19.63	12.27
150 [153]	.63	RSM-1500	30.68	19.17
10 [11]	1.50	RCS-101**	2.24	3.35
20 [22]	1.75	RCS-201**	4.43	7.75
30 [32]	2.44	RCS-302**	6.49	15.82
50 [48]	2.38	RCS-502**	9.62	22.85
100 [98]	2.25	RCS-1002**	19.63	44.18

\* RSM-50 is fitted with an AR-400 coupler.  
\*\* Available as a set. See note on next page.

# Single-Acting, Low Height Cylinders

**Pump and Cylinder Sets**  
All cylinders marked with an \*\* are available as sets (cylinder, gauge, couplers, hose and pump) for your ordering convenience.  
*Page: 54*



Capacity:  
**5-150 tons**

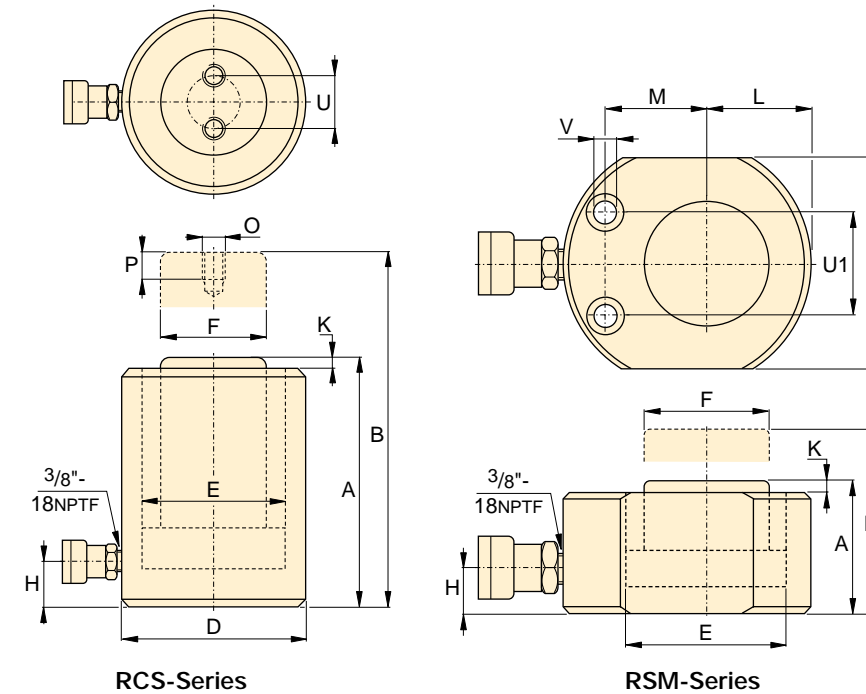
Stroke:  
**.25-2.44 inch**

Maximum Operating Pressure:  
**10,000 psi**

Optional Bolt On Tilt Saddle Dimensions (in)

For Cylinder Model:	Model Number	A	B	C***
RCS-201, -302, -502	CAT-51	1.97	.59	1.14
RCS-1002	CAT-101	2.80	.67	1.39

\*\*\* "C" dimension equals saddle protrusion from plunger. Mounting screws are included.



RSM Cylinder Mounting Hole Dimensions (in)

Model Number	Hole Pitch U1	Hole Dia. V	Counter Bore Dia.	Counter Bore Depth
RSM-50	1.12	.20	.312	.17
RSM-100	1.44	.28	.422	.31
RSM-200	1.94	.40	.594	.39
RSM-300	2.06	.40	.625	.44
RSM-500	2.62	.47	.750	.50
RSM-750	3.00	.53	.812	.56
RSM-1000	3.00	.53	.812	.56
RSM-1500	4.62	.53	.812	.56

Collapsed Height	Ext. Height	Outside Diameter	Cylinder Bore Dia.	Plunger Dia.	Base to Adv. Port.	Plunger Protrusion from Base	Plunger to Base	Plunger to Mtg. Hole	Thread	Thread Depth	Bolt Circle	Weight	Model Number
A (in)	B (in)	D (in)	E (in)	F (in)	H (in)	K (in)	L (in)	M (in)	O (mm)	P (in)	U (in)	(lbs)	
1.28	1.53	2.31 x 1.63	1.13	1.00	.63	.04	.81	.88	-	-	-	2.3	RSM-50*
1.69	2.13	3.25 x 2.19	1.69	1.50	.75	.04	1.09	1.34	-	-	-	3.1	RSM-100
2.03	2.47	4.00 x 3.00	2.38	2.00	.75	.04	1.56	1.56	-	-	-	6.8	RSM-200
2.31	2.81	4.63 x 3.75	2.88	2.50	.75	.08	1.88	1.75	-	-	-	10	RSM-300
2.63	3.25	5.50 x 4.50	3.50	2.75	.75	.08	2.25	2.13	-	-	-	15	RSM-500
3.13	3.75	6.50 x 5.50	4.50	3.25	.75	.08	2.75	2.63	-	-	-	25	RSM-750
3.38	4.00	7.00 x 6.00	5.00	3.63	.75	.08	3.00	2.94	-	-	-	32	RSM-1000
3.94	4.56	8.50 x 7.50	6.25	4.50	.94	.08	3.75	3.25	-	-	-	58	RSM-1500
3.47	4.97	2.75	1.69	1.50	.69	.20	-	-	M4	.32	1.03	9	RCS-101**
3.88	5.63	3.63	2.38	2.00	.69	.13	-	-	M5	.32	1.56	11	RCS-201**
4.63	7.06	4.00	2.88	2.62	.75	.13	-	-	M5	.32	1.56	15	RCS-302**
4.81	7.19	4.88	3.50	2.75	.94	.08	-	-	M5	.32	1.56	24	RCS-502**
5.56	7.81	6.50	5.00	3.63	1.25	.06	-	-	M8	.40	2.19	50	RCS-1002**