

▼ Shown from left to right: PL-3007R, P-51, P-18, P-25



## When High Flow Counts

### P-series

- Bi-directional pumping on the P-25 and P-50 allows operation on both handle strokes
- External load-release valve
- Internal pressure-relief valve for overload protection

### PL-series

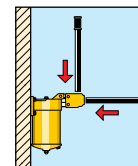
- Pump available with or without reservoir for flange mounting on separate tank
- Pump handle can be used horizontally and vertically
- Interchangeable pump bodies have the same mounting pattern
- Pumps without reservoir include reservoir gasket
- Lightweight and compact design

▼ The PL-3007F mounted on a 5 gallon reservoir.



### Foot Pump Conversion Kits

Convert your P-18 to foot power with the PC-10 Kit. Includes instructions for easy conversion.



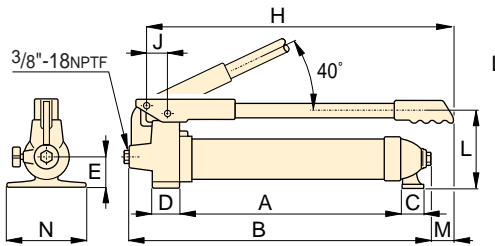
### Application

The pump handle on PL-series pumps can be used in vertical or horizontal positions.

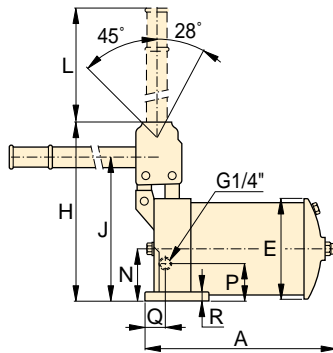
Pump Type	Usable Oil Capacity (in <sup>3</sup> )	Model Number	Pressure Rating (psi)	Oil Displacement per Stroke (in <sup>3</sup> )	Max. Handle Effort (lbs)
Single-Speed	18	P-18	2,850	.16	57
	200	P-25	2,500	.58	60
	200	P-50	5,000	.29	60
	50	P-51	3,000	.25	61
Single-Speed	110	PL-3007R	4350	0.43	88
	110	PL-2509R	3625	0.56	88
	110	PL-2011R	2900	0.69	88
	110	PL-1317R	1885	1.07	88
	110	PL-1025R	1305	1.55	88
Single-Speed	*	PL-3007F	4350	0.43	88
	*	PL-2509F	3625	0.56	88
	*	PL-2011F	2900	0.69	88
	*	PL-1317F	1885	1.07	88
	*	PL-1025F	1305	1.55	88

\* Requires the use of an external reservoir

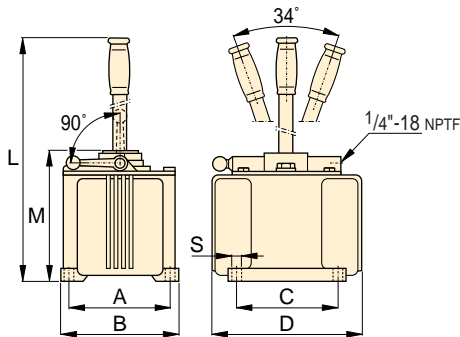
# Low Pressure / High Flow Hand Pumps



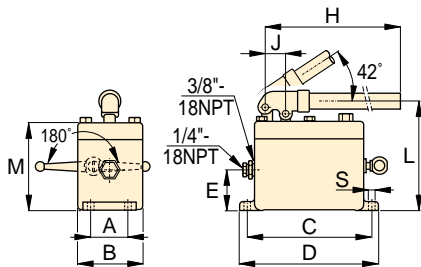
P-18



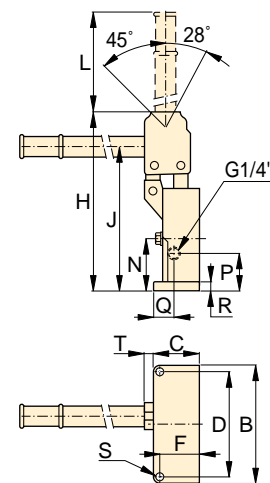
PL-series R



P-25, P-50



P-51



PL-series F

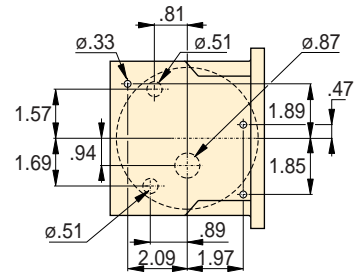
**P**  
**PL**  
Series



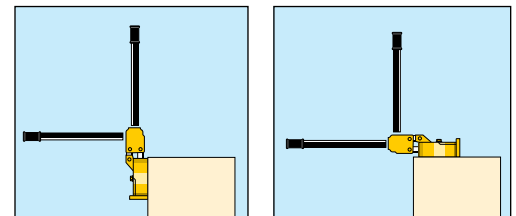
Reservoir Capacity:  
**18-200 in<sup>3</sup>**

Flow at Rated Pressure:  
**0.16-1.55 in<sup>3</sup>/stroke**

Operating Pressure:  
**1,305-5,000 psi**



PL-series F  
mounting dimensions (in)



Piston Stroke	Dimensions (in)																	Weight (lbs)	Model Number
	(in)	A	B	C	D	E	F	H	J	L	M	N	P	Q	R	S	T		
.81	8.25	12.88	1.28	1.50	1.88	-	8.50	1.18	4.38	.51	5.25	-	-	-	-	-	-	11	P-18
1.50	6.00	6.82	6.00	9.43	-	-	-	-	26.94	7.88	-	-	-	-	.40	-	-	36	P-25
1.50	6.00	6.82	6.00	9.43	-	-	-	-	26.94	7.88	-	-	-	-	.40	-	-	37	P-50
1.00	2.06	3.63	7.12	7.88	2.25	-	24.00	1.16	6.31	5.06	-	-	-	-	.34	-	-	12	P-51
1.40	10.73	6.20	3.35	5.27	5.23	2.50	9.24	7.92	20.75	-	2.73	1.60	1.40	.47	.43	.51	13.9	PL-3007R	
1.40	10.73	6.20	3.35	5.27	5.23	2.50	9.24	7.92	20.75	-	2.73	1.60	1.40	.47	.43	.51	13.9	PL-2509R	
1.40	10.73	6.20	3.35	5.27	5.23	2.50	9.24	7.92	20.75	-	2.73	1.60	1.40	.47	.43	.51	13.9	PL-2011R	
1.40	10.73	6.20	3.35	5.27	5.23	2.50	9.24	7.92	20.75	-	2.73	1.60	1.40	.47	.43	.51	13.9	PL-1317R	
1.40	10.73	6.20	3.35	5.27	5.23	2.50	9.24	7.92	20.75	-	2.73	1.60	1.40	.47	.43	.51	13.9	PL-1025R	
1.40	-	6.20	2.42	5.27	-	1.93	9.24	7.92	20.75	-	2.73	1.60	1.40	.47	.43	.51	9.5	PL-3007F	
1.40	-	6.20	2.42	5.27	-	1.93	9.24	7.92	20.75	-	2.73	1.60	1.40	.47	.43	.51	9.5	PL-2509F	
1.40	-	6.20	2.42	5.27	-	1.93	9.24	7.92	20.75	-	2.73	1.60	1.40	.47	.43	.51	9.5	PL-2011F	
1.40	-	6.20	2.42	5.27	-	1.93	9.24	7.92	20.75	-	2.73	1.60	1.40	.47	.43	.51	9.5	PL-1317F	
1.40	-	6.20	2.42	5.27	-	1.93	9.24	7.92	20.75	-	2.73	1.60	1.40	.47	.43	.51	9.5	PL-1025F	