

▼ Shown from left to right: PGM-3410R, PGM-2408R, PGM-5410R



Featuring Portable Genesis Technology



Hoses:

Enerpac offers a complete line of high quality hydraulic hoses. To ensure the integrity of your system,

specify only Enerpac hydraulic hoses.

Page: 112



Gauges

Minimize the risk of overloading and ensure long, dependable service from your equipment. Refer to the

System Components section for a full range of gauges.

Page: 118

- Patented Genesis Technology means
 - coaxial piston design ensures high performance
 - first-stage piston pump for improved efficiency
- High by-pass pressures improve productivity
- All Atlas pumps feature sturdy Roll Cages for use in tough environments
- 1, 2, 5 and 10 gallon reservoirs for use with a wide range of cylinders
- Available in three four-cycle motor sizes: 2.5, 5.0 and 5.5 hp

▼ This PGM-5310R is used to power a hydraulic re-bar cutter on a construction site before power was available.



Used with Cylinder	Usable Oil Capacity (gal)	Model Number	Pressure Rating (psi)	Output Flow Rate (in ³ /min)	
				1 st stage	2 nd stage
Single-Acting	1.0	PGM-2304R*	10,000	200	40
	2.0	PGM-2308R*	10,000	200	40
Double-Acting	1.0	PGM-2404R*	10,000	200	40
	2.0	PGM-2408R*	10,000	200	40
Single-Acting	2.5	PGM-3310R	10,000	480	55
	5.0	PGM-3320R	10,000	480	55
Double-Acting	2.5	PGM-3410R	10,000	480	55
	5.0	PGM-3420R	10,000	480	55
Single-Acting	2.5	PGM-5310R	10,000	480	100
	5.0	PGM-5320R	10,000	480	100
Double-Acting	2.5	PGM-5410R	10,000	480	100
	5.0	PGM-5420R	10,000	480	100
	10.0	PGM-5440R	10,000	480	100

* Note: The PGM-20 series are available with a carrying handle instead of a rollcage. For ordering omit the 'R' from the model number.

Atlas Series Gasoline Pumps



Atlas Gasoline Pump Performance

Elevation can affect the performance of any gasoline engine. Atlas pumps are designed to develop rated performance at elevations up to 5,000 ft.

For applications above this elevation, please consult your Enerpac office.

PGM Series

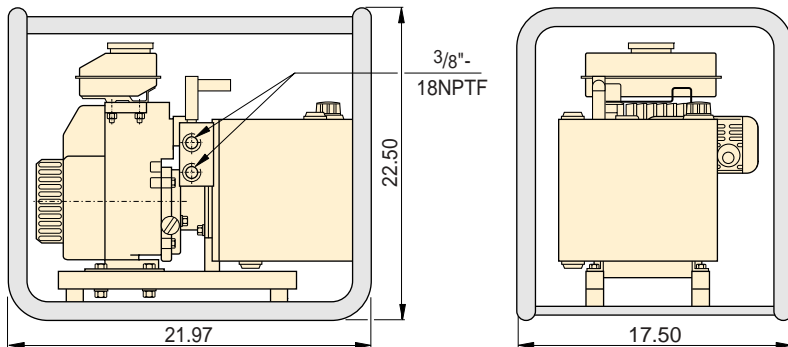


Reservoir Capacity:
1.0-10.0 gal

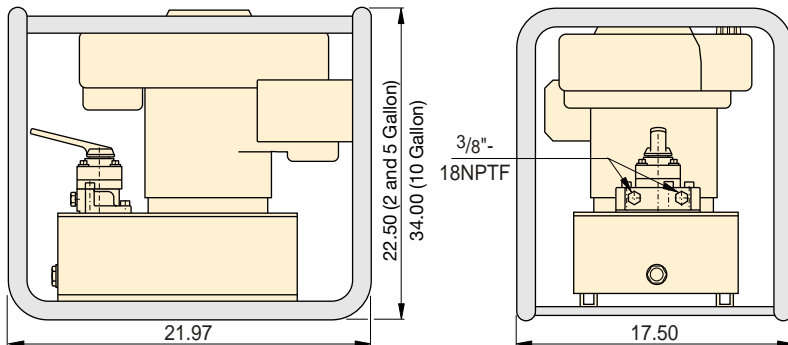
Flow at Rated Pressure:
40-100 in³/min

Motor Size:
2.5-5.5 hp

Maximum Operating Pressure:
10,000 psi



PGM-20 series



PGM-30 and PGM-50 series



Speed Chart

See the Enerpac Cylinder Speed Chart in our "Yellow Pages" section.

Page: 109

By-Pass Pressure (psi)	Valve Type	Valve Function	Motor Manufacturer	Motor Size (hp)	Sound Level (dBA)	Weight (lbs)
2,000	3-way, 3-position	Advance/ Hold/Retract	Honda	2.5	89	55
2,000	3-way, 3-position				89	72
2,000	4-way, 3-position				89	55
2,000	4-way, 3-position				89	72
2,000	3-way, 3-position	Advance/ Hold/Retract	Briggs	5.0	93	120
2,000	3-way, 3-position				93	150
2,000	4-way, 3-position				93	120
2,000	4-way, 3-position				93	150
2,000	3-way, 3-position	Advance/ Hold/Retract	Honda	5.5	93	130
2,000	3-way, 3-position				93	160
2,000	4-way, 3-position				93	130
2,000	4-way, 3-position				93	160
2,000	4-way, 3-position				93	205

