

▼ Shown from left to right: 11-100, P-2282



- Two-speed operation on the P-2282 allows for faster fill, reducing cycle times for many testing applications
- 303 Stainless steel construction on the 11-100 and 11-400 models enable use with many different fluids, such as distilled water, diesters, silicones, soluble oils and petroleum
- Large release knob for improved control of pressure release
- Outlet ports are 3/4"-16 cone for 40,000 psi rating
- 3/8" NPTF adaptor included with P-2282, for applications under 10,000 psi

Ultra-High Pressure up to 40,000 psi



2-Way Shut-Off Valve 72-750

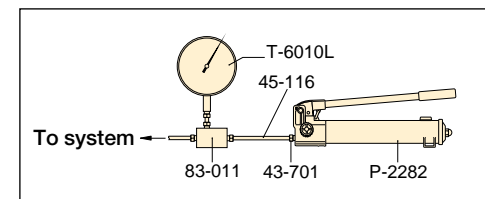
For 40,000 psi applications requiring a shut-off valve or gauge snubber. Made of 318 Stainless Steel and utilizing .38 inch cone fittings, it is the perfect selection for use with your Ultra-High Pressure hand pump.



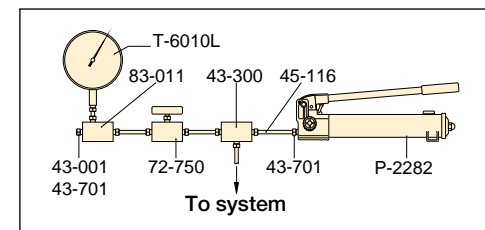
Test System Gauges

Ideal for monitoring pressure in your hydraulic circuit, Test System Gauges, such as the T-6010L, are available with cone threads or NPTF threads and in a variety of pressure ranges.

Page: 122



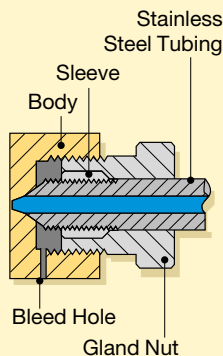
▲ Typical Test System



▲ Test System with Gauge and Snubber

Cone Seal

Stainless Steel High Pressure fittings seal on a "cone" surface and do not require pipe sealer. The Gland Nut holds the sleeve and tubing tight against the cone surface to provide a 40,000 psi seal.



Pump Type	Usable Oil Capacity (in ³)	Model Number	Pressure Rating* (psi)		Oil Displacement per Stroke (in ³)		Max. Handle Effort (lbs)
			1st stage	2nd stage	1st stage	2nd stage	
Two-Speed	60	P-2282	200	40,000	.99	.037	106
Single-Speed	45	11-100	N/C	10,000	N/C	.152	120
	45	11-400	N/C	40,000	N/C	.038	120

* Contact Enerpac for applications where operating pressure is less than 10% of pressure rating.

Ultra-High Pressure Hand Pumps

▼ Optional Ultra-High Pressure Fittings and Tubing

Description	Connection	Model No.
40,000 psi		
Gland Nut Plug	.38" cone	43-001
Elbow	.38" cone	43-200
Tee	.38" cone	43-300
Gauge Tee	.38" cone side/ .25" cone gauge port	43-301
Gauge Adaptor	.38" cone side/ .25" cone gauge port	83-011
Coupling	.38" cone	43-400
Cross	.38" cone	43-600
Gland Nut with Sleeve	.38" cone	43-701
Gauge Connector	.25" cone	43-704
Tubing	4" tube, O.D. .38" * 8" tube, O.D. .38" * 12" tube, O.D. .38" *	45-116 45-126 45-136
10,000 psi only		
Adaptor	.38F cone to 1/4" M NPTF	41-146
	.38F cone to 3/8" M NPTF	41-166
Adaptor	.38F cone to 1/4" F NPTF	41-246
	.38F cone to 3/8" F NPTF	41-266

Note: .25" cone fittings use 9/16"-18 threads, 3/8" cone fittings use 3/4"-16 threads.

* Actual tubing lengths are .75" less than nominal size shown. These dimensions make distance between centers of valves and fittings multiples of 4" spaces.

P 11- Series



Reservoir Capacity:

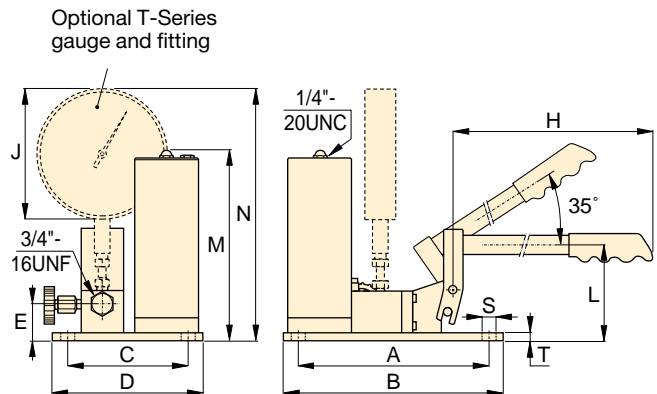
45-60 in³

Flow at Rated Pressure:

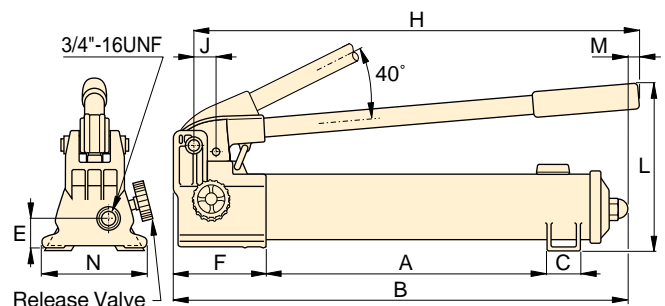
.037-.152 in³/stroke

Operating Pressure:

10,000-40,000 psi



11-100, 11-400



P-2282

Piston Stroke	Dimensions (in)													Weight (lbs)	Model Number
	A	B	C	D	E	F	H	J	L	M	N	S	T		
1.00	13.56	22.00	1.40	—	1.24	5.25	20.75	1.16	9.00	.28	4.74	—	—	14	P-2282
.78	9.45	10.50	5.98	7.00	1.77	—	25.00	6.41	4.50	9.33	12.38	.31	.37	22	11-100
.78	9.45	10.50	5.98	7.00	1.77	—	25.00	6.41	4.50	9.33	12.38	.31	.37	22	11-400