

8000 Series Gasoline Pumps

▼ Shown: EGM-8418



EGM Series

Reservoir Capacity:
25 gal

Flow at Rated Pressure:
1.5 gal/min

Motor Size:
18 hp

Maximum Operating Pressure:
10,000 psi



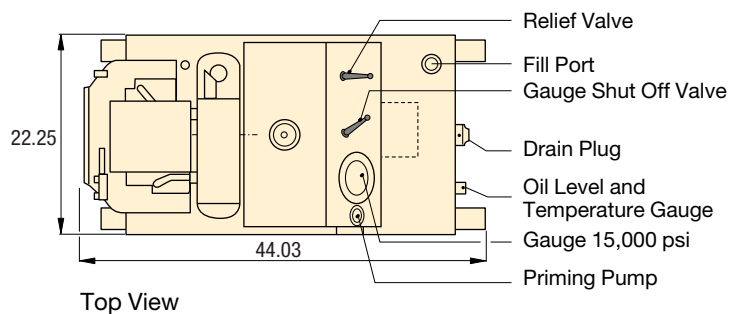
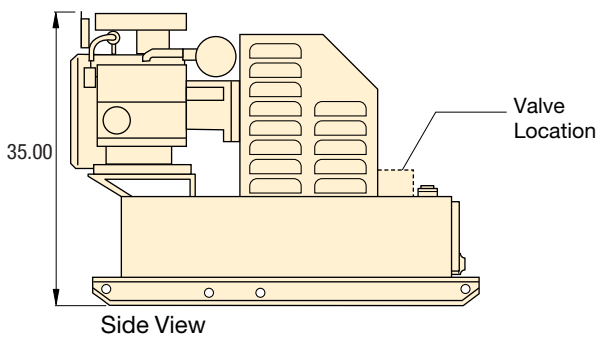
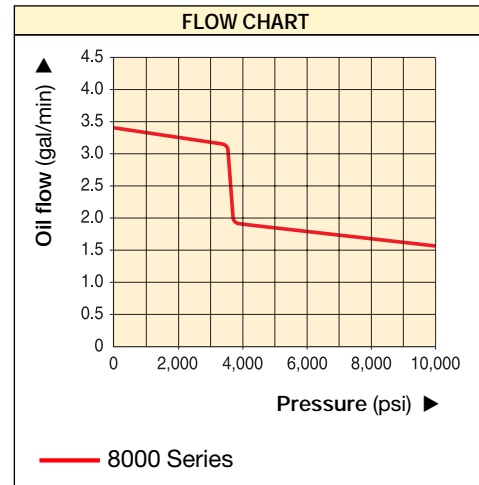
Locking Valves

Pumps with VM-4 manual valves are available with VM-4L manual valves for positive load holding.

Add suffix "L" to pump model number.

Page: 128

- Industrial grade 18 hp twin-cylinder motor
- Panel mounted pressure gauge and adjustable relief valve for system pressure control
- Two-speed pump design with high by-pass pressure for rapid cylinder advance
- Built in oil temperature and oil level gauge
- External adjustable relief valve (1,200-10,000 psi) allows control of operating pressure without opening the pump
- Integral priming circuit guarantees quick starts after transport



Used with Cylinder	Usable Oil Capacity (gal)	Model Number	Pressure Rating (psi)		Output Flow Rate (gal/min)		Valve Type	Valve Function	Sound Level (dBA)	Weight (lbs)
			1 st stage	2 nd stage	1 st stage	2 nd stage				
Single-Acting	18	EGM-8218	3,700	10,000	3.4	1.5	3-way, 2-pos.	Adv./Retr.	94	890
Double-Acting	18	EGM-8418	3,700	10,000	3.4	1.5	4-way, 3-pos.	Adv./Hold/Retr.	94	890