

3/8" & 1/4" NPTF HIGH-FLOW COUPLERS

3/8" NPTF



C213-Hose Half Coupler



C211-Ram Half Coupler



CR215 Dust Cap



C209 Coupler Complete with 2 Dust Caps

These premium grade couplers provide maximum fluid flow and are plated to resist corrosion. Cylinder Half Couplers have male 3/8" NPTF threads & high strength rubber dust caps; Hose Half Couplers have female 3/8" NPTF threads.

1/4" NPTF



CT201-Ram Half Coupler



CT202 Hose Half Coupler



CT200 Coupler Complete with 2 Dust Caps

For use on smaller tools, pumps and any tool with 1/4" threads. These couplers are plated to resist corrosion. Cylinder Half Couplers have male 1/4" NPTF threads; Hose Half Couplers have female 1/4" NPTF threads.

3/8" & 1/4" NPTF FLUSH FACE/NO SPILL COUPLERS

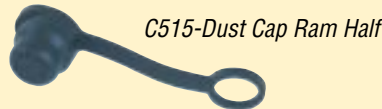
3/8" NPTF



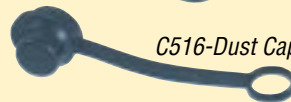
C513-Hose Half Coupler



C511-Ram Half Coupler



C515-Dust Cap Ram Half



C516-Dust Cap Hose Half



C509 Coupler Complete with 2 Dust Caps

Unique flush face design features push to connect operation with a sleeve lock, and non-spill "dry" disconnect operation. Easy cleaning minimizes system contamination. This coupler should be used wherever oil spillage constitutes a safety or environmental hazard. Couplers have 3/8" NPTF threads.

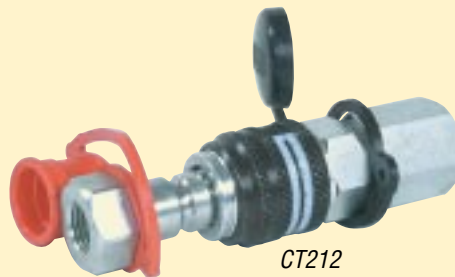
1/4" NPTF



CT210 Hose Half Coupler with Dust Cap




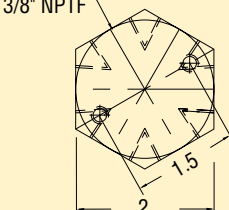

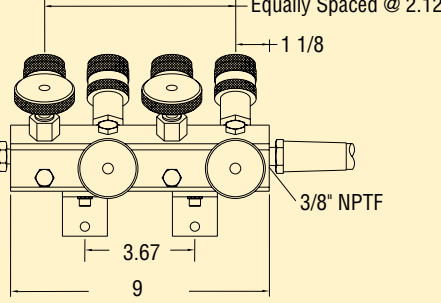
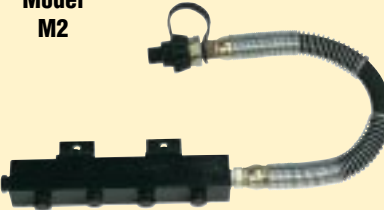
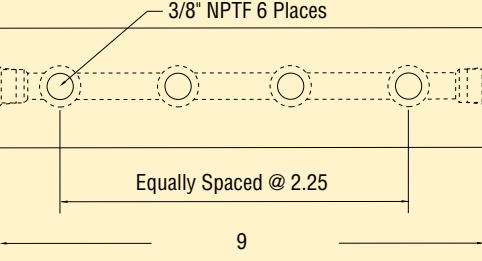
CT211 Ram Half Coupler with Dust Cap













CT212 Coupler Complete with 2 Dust Caps

Unique flush face design features push to connect operation with an auto lock sleeve on the CT211, and non-spill "dry" disconnect operation. Easy cleaning minimizes system contamination. This coupler should be used wherever oil spillage constitutes a safety or environmental hazard. Couplers have 1/4" NPTF threads.

HIGH PRESSURE MANIFOLDS

<p>Model M3</p> 	<p>• 6 Port Inline Hex Manifold: The M3 inline hex manifold features (6) - 3/8" NPTF threaded ports & mounting holes.</p>	
<p>Model M1</p> 	<p>• Pump Mounted 4 Cylinder Control Manifold Kit: The M1 control manifold incorporates (4) station shut-off/flow control valves, 3' hose, gauge port and pump mounting hardware. Two or more manifolds can be coupled together for larger systems.</p>	
<p>Model M2</p> 	<p>• Pump Mounted 4 Cylinder Manifold Kit: The M2 manifold includes 2' hose and pump mounting hardware. Two or more manifolds can be coupled together for larger systems.</p>	

3/8" NPTF HIGH-PRESSURE 10,000 PSI FITTINGS

Hex Nipple	3" Nipple	6" Nipple	90° Elbow	90° St. Elbow	Tee	Coupling	Cross
							
F1	F3	F6	F7	F9	F11	F13	F15
3/8" M to 1/4" F	1/4" M to 3/8" F						
							
F16	F17						

SIMPLEX HYDRAULIC OIL

Model Number	Hydraulic Oil Qty.
A01	1 Gallon
A05	5 Gallons
A012	12 Quarts
A055	55 Gallons

Special, high pressure formulated, premium grade oil for all Simplex hydraulic products. High viscosity index insures maximum lubricity over a wide range of operating temperatures.









Viscosity Index	100 min.
VIS, SSU @100° F	150 - 155
VIS, SSU @ 210° F	45 - 50
VIS, SSU @0° F	< 15,000
Pour Point	-50° F
Flash Point	400° F
Analine Point	204.8° F
Includes: Anti-Foam, Anti-Rust and Low Temperature Additives	

All Simplex hoses have 3/8" male NPTF threads, and include end guards as standard equipment. Special lengths are available upon request.





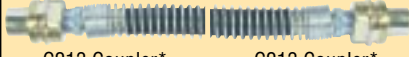

- **H & HC Series** industrial grade 1/4" I.D. hose is rated at **10,000 psi operating pressure and 20,000 psi minimum burst pressure**. This hose is the recommended choice for hand pump & cylinder sets, as well as a wide range of other intermittent applications.



Model Number	Length (Ft.)	Hose End	Hose End	I.D. (In.)
H3	3			1/4
H6	6			
H10	10			
H20	20			
H36	36			
H50	50	3/8" NPTF Male	3/8" NPTF Male	
HC3	3			1/4
HC6	6			
HC10	10			
HC20	20			
HC36	36			
HC50	50			
		C213 Coupler*	C213 Coupler*	

*All hoses with couplers includes CR215 Dust Cap.

- **High Flow HD & HDC Series 3/8" I.D.** hose is recommended to achieve higher retraction speeds and minimal flow restrictions. These heavy duty hoses are rated at **10,000 psi with a minimum burst pressure of 30,000 psi**.

Model Number	Length (Ft.)	Hose End	Hose End	I.D. (In.)
HD3	3			3/8
HD6	6			
HD10	10			
HD20	20			
HD50	50			
HDC3	3			3/8
HDC6	6			
HDC10	10			
HDC20	20			
HDC50	50			
		C213 Coupler*	C213 Coupler*	

*All hoses with couplers includes CR215 Dust Cap.


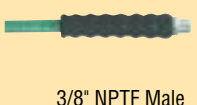
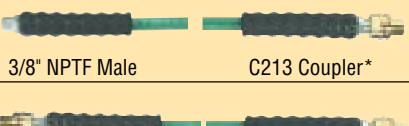
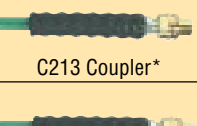

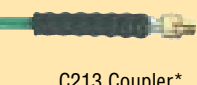
Note: Recommended for use with Suc-O-Matic Pumps.



In this fixed outdoor application Simplex hand pumps and hoses are permanently attached to this mineral processing machine. "The desert environment is tough on hydraulic equipment. Simplex gives us the reliability we need."


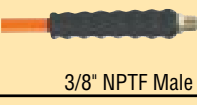




■ **Thermo-Plastic HP & HPC Series Hoses** are recommended for demanding applications. Along with their distinctive green color, the HP & HPC series hoses boast a 10,000 psi working, 40,000 psi minimum burst, (4:1 safety factor) and a tough polyurethane outer cover that resists abrasion and wear. Well suited for continuous duty, the reinforced polyester and carbon steel wire design contributes to low volume expansion, minimized fatigue and enhanced system efficiencies.

Model Number	Length (Ft.)	Hose End	Hose End	I.D. (In.)	
HP3	3			1/4	
HP6	6				
HP10	10				
HP20	20				
HP36	36				
HP50	50	3/8" NPTF Male	3/8" NPTF Male		
HPC3	3				
HPC6	6				
HPC10	10				
HPC20	20				3/8" NPTF Male
HPC36	36				
HPC50	50				
		C213 Coupler*	C213 Coupler*		

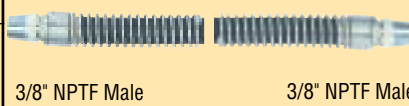

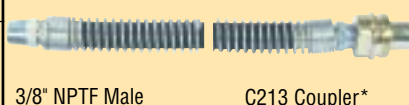

*All hoses equipped with C213 Coupler also includes a CR215 Dust Cap.

■ **Non-Conductive Thermo Plastic HR & HRC Series Hoses** are for those special applications where non-conductivity is a must. The HR & HRC series hose operates at 10,000 psi working and 40,000 psi burst, (4:1 safety factor). Light weight and durable, the multi-layered design complies with M.H.I. I.J.100 hose specifications. Orange in color, the HR and HRC are easily identified from standard conductive hoses.

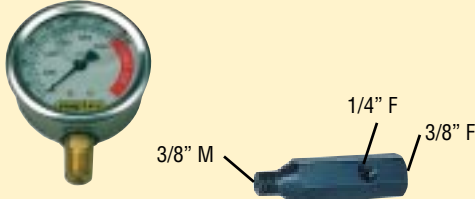
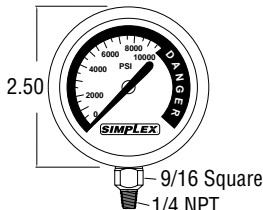

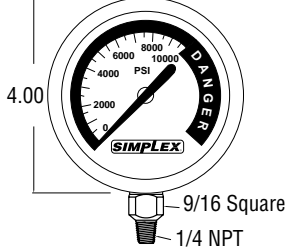

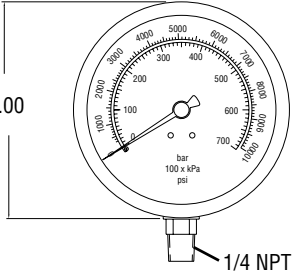

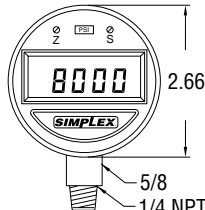

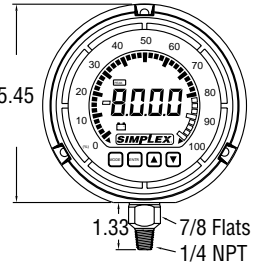
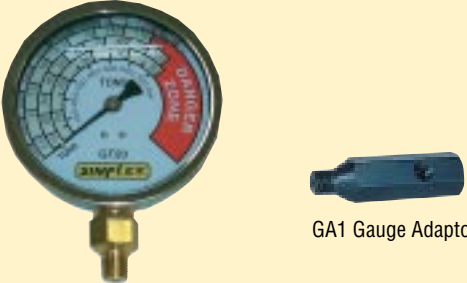
Model Number	Length (Ft.)	Hose End	Hose End	I.D. (In.)
HR3	3			1/4
HR6	6			
HR10	10			
HR20	20			
HRC3	3			
HRC6	6			
HRC10	10			
HRC20	20			

*All hoses equipped with C213 Coupler also includes a CR215 Dust Cap.

■ **Heavy Duty HE & HEC Series Hoses** are for demanding and continuous duty applications that require 10,000 psi working and 40,000 psi burst, (4:1 safety factor) but where rubber coated, steel wire braid design is preferred. These hoses are well suited in operating temperatures up to 150° F.

Model Number	Length (Ft.)	Hose End	Hose End	I.D. (In.)		
HE6	6			1/4		
HE10	10					
HE20	20				3/8" NPTF Male	3/8" NPTF Male
HEC6	6					
HEC10	10					
HEC20	20				3/8" NPTF Male	C213 Coupler*

*All hoses equipped with C213 Coupler also includes a CR215 Dust Cap.

 <p>G5 2 1/2" Gauge 500 PSI Increment</p> <p>GA1 Gauge Adaptor</p>	<p>Description</p> <p>The G5 is a high quality compact liquid filled gauge that reads in both PSI and Bar. Liquid filled to dampen needle vibration, the G5 is perfect for applications up to 10,000 PSI.</p> <ul style="list-style-type: none"> ■ Liquid filled dampens needle vibration. ■ ±1% full scale accuracy. ■ 500 PSI increment. ■ Stainless steel casing. 	<p>Dimensions</p>  <p>2.50 9/16 Square 1/4 NPT</p>																										
 <p>G6 4" Gauge 500 PSI Increment</p> <p>GA1 Gauge Adaptor</p>	<p>The G6 is a larger, easy to read liquid filled gauge that's in both PSI and Bar with increments of 500 PSI. The calibrated scale reads from 0-10,000 PSI with 10,000 to 15,000 PSI as a warning zone.</p> <ul style="list-style-type: none"> ■ Liquid filled dampens needle vibration. ■ ±1% full scale accuracy. ■ Large easy to read 4" face. ■ Rubber blowout plugs for safety. ■ Stainless steel casing. 	 <p>4.00 9/16 Square 1/4 NPT</p>																										
 <p>G7 4" Gauge 100 PSI Increment</p> <p>GA1 Gauge Adaptor</p>	<p>The G7 is a larger, easy to read liquid filled gauge that's in both PSI and Bar with increments of 100 PSI/10bar. The calibrated scale reads from 0-10,000 PSI.</p> <ul style="list-style-type: none"> ■ Liquid filled dampens needle vibration. ■ ±1% full scale accuracy. ■ Large easy to read 4" face. ■ Rubber blowout plugs for safety. ■ Stainless steel casing. ■ Standard on all Simplex Torque Wrench Pumps. 	 <p>4.00 1/4 NPT</p>																										
 <p>GD1 2 1/2" Digital Gauge</p> <p>GA1 Gauge Adaptor</p>	<p>The GD1 is designed for the high cycle pressure application where mechanical gauges don't hold up. The GD1 is a direct mount, compact gauge with an all stainless steel sensor that is vibration & shock resistant.</p> <ul style="list-style-type: none"> ■ Self powered Lithium batteries. ■ Full 4 digit display. ■ ±.25% full scale accuracy. ■ 10 million cycle life minimum. 	 <p>2.66 5/8 1/4 NPT</p>																										
 <p>GD2 4" Digital Gauge</p> <p>GA1 Gauge Adaptor</p>	<p>The GD2 digital gauge combines the best features of analog and digital instruments. The 0.75" high full 4 digit display is easily read at a distance and the "analog" bar graph allows instant estimation of changing pressures. The all stainless steel sensor is vibration and shock resistant.</p> <ul style="list-style-type: none"> ■ 0.75" characters and 270° bar graph "analog" readout. ■ Splash proof phenolic housing. ■ ±.25% full scale accuracy. ■ Keypad enable/disable of peak high or peak low hold. 	 <p>5.45 1.33 7/8 Flats 1/4 NPT</p>																										
 <p>Tonnage Gauge</p> <p>GA1 Gauge Adaptor</p>	<table border="1"> <thead> <tr> <th>Model Number</th> <th>Calibrated Range (0-10,000 psi) and Tons</th> <th>Face Dia. (in)</th> <th>Cylinders Used With</th> </tr> </thead> <tbody> <tr> <td>GT5</td> <td>0 - 5, 10, 15</td> <td rowspan="7">4</td> <td>All 5, 10 & 15 Ton Models</td> </tr> <tr> <td>GT20</td> <td>0 - 20, 50</td> <td>All 20 & RF, RFS, RL & RLS 50 Ton Models</td> </tr> <tr> <td>GT25</td> <td>0 - 25, 55, 100</td> <td>All 25, 55 & RF, RFS, RL & RLS 100 Ton Models</td> </tr> <tr> <td>GT30</td> <td>0 - 30, 50, 100</td> <td>30 Ton Models, 50 & 100 RLR & RLN</td> </tr> <tr> <td>GT100</td> <td>0 - 100, 150, 200</td> <td>RDA100 & 200 Series, RLR & RLN 150 & 200</td> </tr> <tr> <td>GTH12</td> <td>0 - 12, 20, 30</td> <td>12, 20 & 30 Ton RC & RCD Series</td> </tr> <tr> <td>GTH60</td> <td>0 - 60, 100, 150</td> <td>60, 100, & 150 Ton RC & RCD Series</td> </tr> </tbody> </table>	Model Number	Calibrated Range (0-10,000 psi) and Tons	Face Dia. (in)	Cylinders Used With	GT5	0 - 5, 10, 15	4	All 5, 10 & 15 Ton Models	GT20	0 - 20, 50	All 20 & RF, RFS, RL & RLS 50 Ton Models	GT25	0 - 25, 55, 100	All 25, 55 & RF, RFS, RL & RLS 100 Ton Models	GT30	0 - 30, 50, 100	30 Ton Models, 50 & 100 RLR & RLN	GT100	0 - 100, 150, 200	RDA100 & 200 Series, RLR & RLN 150 & 200	GTH12	0 - 12, 20, 30	12, 20 & 30 Ton RC & RCD Series	GTH60	0 - 60, 100, 150	60, 100, & 150 Ton RC & RCD Series	
Model Number	Calibrated Range (0-10,000 psi) and Tons	Face Dia. (in)	Cylinders Used With																									
GT5	0 - 5, 10, 15	4	All 5, 10 & 15 Ton Models																									
GT20	0 - 20, 50		All 20 & RF, RFS, RL & RLS 50 Ton Models																									
GT25	0 - 25, 55, 100		All 25, 55 & RF, RFS, RL & RLS 100 Ton Models																									
GT30	0 - 30, 50, 100		30 Ton Models, 50 & 100 RLR & RLN																									
GT100	0 - 100, 150, 200		RDA100 & 200 Series, RLR & RLN 150 & 200																									
GTH12	0 - 12, 20, 30		12, 20 & 30 Ton RC & RCD Series																									
GTH60	0 - 60, 100, 150		60, 100, & 150 Ton RC & RCD Series																									