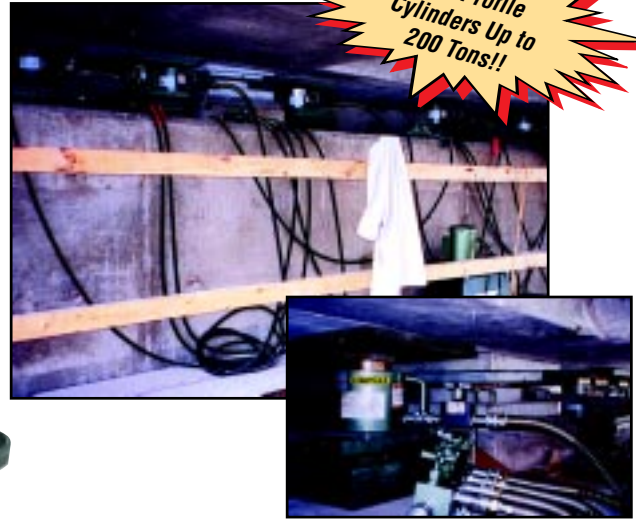


CYLINDERS

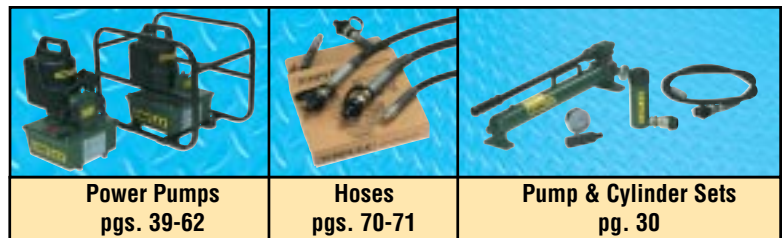
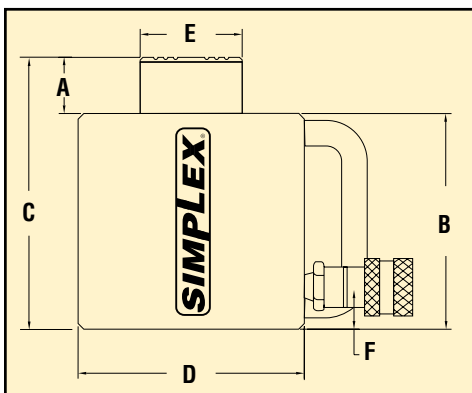
LOW PROFILE 10 - 200 TONS

"These Low Profile Cylinders Gave Us The Power We Wanted In The Compact Sizes We Needed."



Simplex RLS Series provides the ideal fit & force required for most bridge lifting and pier cap maintenance jobs. Compact, light weight & tough as nails, Simplex cylinders are at home on any construction site.

- 12 Models
- Plated pistons to resist scoring & corrosion.
- High flow quality couplers.
- Available in spring or load return.
- Stop rings for piston blow-out protection.
- Rod wiper protects inner cylinder from dirt.
- Exceeds ANSI/ASME B30.1 safety standards.



Power Pumps
pgs. 39-62

Hoses
pgs. 70-71

Pump & Cylinder Sets
pg. 30

Spring & Load Return Low Profile Cylinders 10 Through 200 Ton Capacities

Model Number Spring Return	Model Number Load Return	Cap. (tons)	A Stroke (in)	B Min. Ht. (in)	C Ext. Ht. (in)	Ram Bore Dia. (in)	Effect Area (sq in)	Pres. @ Cap. (psi)	Oil Cap. Req'd (cu in)	D Body O.D. (in)	E Piston O.D. (in)	F Base To Port C/L (in)	Wgt. (lbs)	Sugstd. Hand Pump	Suggested Power Pump
RLS101	RL101	10	1 1/2	3 15/32	4 31/32	1 11/16	2.23	8,940	3.4	2 3/4	1 1/2	11/16	5.8	P42	Simplex Suc-O-Matic™ equipped Power Pumps are highly recommended to power load return cylinders.
RLS201	RL201	20	1 3/4	3 7/8	5 5/8	2 3/8	4.43	9,030	7.8	3 5/8	2	10.5			
RLS302	RL302	30	2 7/16	4 5/8	7 1/16	2 7/8	6.49	9,250	15.8	4	2 1/4	3/4	13.8		
RLS502	RL502	50	2 3/8	4 13/16	7 3/16	3 1/2	9.62	10,400	22.8	5	2 1/4	15/16	22.8		
RLS1002	RL1002	100	2 1/4	5 9/16	7 13/16	5	19.63	10,200	44.2	6 1/2	3 5/8	1 1/4	44.5		
	RLR1502	150	2	7	9	6 1/4	33.18	9,041	66.4	9	5 9/16	1 15/16	117	P140	
	RLR2002	200		8	10	7 1/4	44.18	9,054	88.4	10	6 9/16	2 1/16	184		

5 - 150 TON FLAT JACK

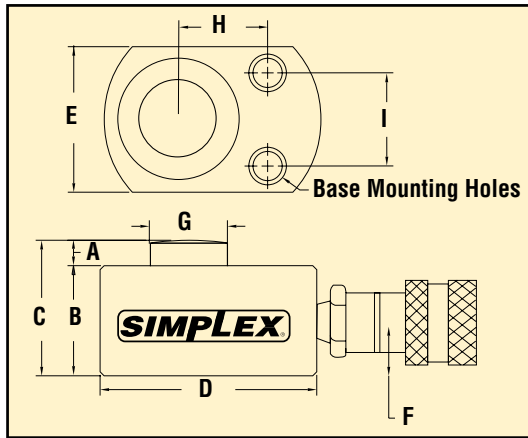
CYLINDERS


Simplex Flat Jacks, Designed To Fit In Tight Spots.



- 15 Models
- Stop rings for piston blow-out protection.
- Available in spring or load return.
- Domed piston resists side load.
- Plated pistons to resist scoring & corrosion.
- High flow quality couplers.
- Mounting holes in 5, 10, & 20 ton models.
- Rod wiper protects inner cylinder from dirt.
- Exceeds ANSI/ASME B30.1 safety standards.
- Power pumps with Suc-O-Matic™ feature are ideal for load return cylinders.

Simplex RF & RFS Series are designed specifically for near impossible lifting, clamping or positioning jobs where space is at a premium. Ideal for break loose or start up spreading jobs. These mini-monsters pack up to 150 tons of force into a convenient, portable package.



		
Power Pumps pgs. 39-62	Hoses pgs. 70-71	Pump & Cylinder Sets pg. 30

Mounting Hole Dimensions

Capacity	H (in)	I (in)	Base Mounting Hole Dimensions (in)
5 Ton	1	1 1/8	7/32 through x 23/64 C'BORE (1/4 DEEP)
10 Ton	1 11/32	1 13/32	9/32 through x 27/64 C'BORE (5/16 DEEP)
20 Ton	1 9/16	1 15/16	25/64 through x 19/22 C'BORE (25/64 DEEP)

Spring & Load Return Flat Jacks 5 Through 150 Ton Capacities

Model Number Spring Return	Model Number Load Return	Cap. (tons)	A Stroke (in)	B Min. Ht. (in)	C Ext. Ht. (in)	Ram Bore Dia. (in)	Effect Area (sq in)	Pres. @ Cap. (psi)	Oil Cap. Req'd (cu in)	D Body Length (in)	E Body Width (in)	F Base To Port C/L (in)	G		Wgt. (lbs)	Suggested Hand Pump		
													Piston O.D. Spring Ret. (in)	Piston O.D. Load Ret. (in)				
R50		5	5/8	1 5/8	2 1/4	1 1/8	.99	10,000	.6	2 9/16	1 5/8	3/4	1	---	2.5	P41		
RFS10	RF10	10	7/16	1 11/16	2 1/8	1 11/16	2.24	8,940	1.0	3 1/4	2 3/16		3/4	1 1/2	3.3			
RFS20	RF20	20		2 1/32	2 15/32	2 3/8	4.43	9,030	1.9	4	3		1 1/8	2	6.0			
RFS30	RF30	30		2 5/16	2 13/16	2 7/8	6.49	9,250	3.2	4 1/2	3 3/4		1 3/8	2	8.5			
RFS50	RF50	50	5/8	2 5/8	3 1/4	3 1/2	9.62	10,400	6.0	5 1/2	4 1/2		1 3/4	2 1/4	14.3	P42		
RFS75	RF75	75		3 1/8	3 3/4	4 1/2	15.90	9,440	10.0	6 1/2	5 1/2		2 1/8	3 1/4	24.5			
RFS100	RF100	100		3 3/8	4	5	19.63	10,200	12.3	7	6		2 1/2	3 3/8	31.0			
RFS150	RF150	150		9/16	3 15/16	4 1/2	6 1/4	30.66	9,785	17.2	8 1/2		7 1/2	15/16	3		4 1/2	50.5