

Air Hydraulic Pumps

9 cu. in./min., Single-Acting (PA9 Series)

Single-speed pump designed to drive single-speed cylinders or tools. Pump can be mounted vertically or horizontally. Ideal for operating portable hydraulic tools.

PUMPS



Hoses, Fittings & Gauges
Pages 74-80

Pump Accessories
Pages 161-165

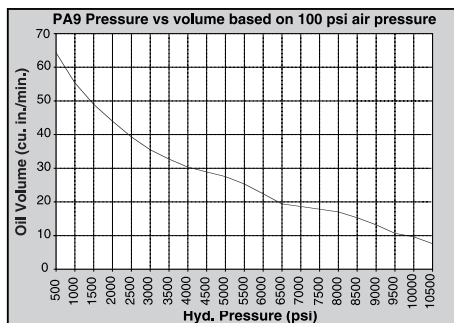
Cylinder/Pump Speed/Selection Chart Page 178

Choosing The Right Pump
Pages 181-184

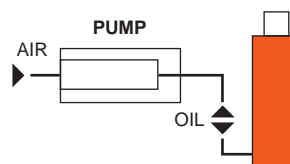
- PA9 series single-speed pumps are ideal for powering single-acting cylinders and portable hydraulic tools.
- Easier to operate than a hand pump, giving you the speed you need at an affordable price.
- A time-tested design constructed totally of metal (not plastic!) for years of dependable on the job service.
- Easy and economical to service; not a “throw away” unit.
- Unique bladder design for all-position operation and storage.
- Operates on 40-120 psi shop air, at 20 cfm.
- Heavy-duty, hard-coat anodized aluminum housing, distinctive styling.
- Oil filler with integral safety relief minimizes chance of damage to reservoir bladder if overfilling occurs.

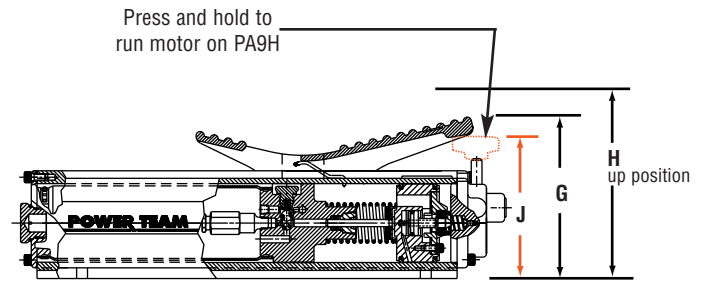
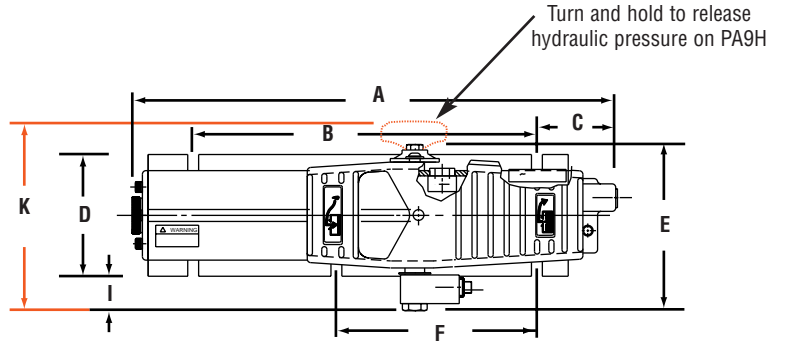
PERFORMANCE

Pressure vs volume based on 100 psi air pressure:



Typical Set-up
Hook-up for single-acting cylinders





Relief valve settings: up to 10,000 psi
 Mounting holes (standard): 3/8" slots

DIMENSIONS (INCHES)

Pump No.	A	B	C	D	E	F	G	H	I	J	K
PA9	16 ¹ / ₁₆	12	2 ¹ / ₁₆	4 ¹ / ₄	5 ⁵ / ₁₆	7	5%	7	1%	—	—
PA9H	16 ¹ / ₁₆	12	2 ¹ / ₁₆	4 ¹ / ₄	—	7	—	7	1%	4 ¹ / ₁₆	6 ¹ / ₁₆

ORDERING INFORMATION

See current price list for shipping weights.

For Use with Cyl. Type	Order No.	Air Supply Req'd	Reservoir		Oil Port	Max. Pressure Output	Prod. Weight
			Cap.	Usable			
Single-Acting	PA9	40-120 psi	35 cu. in.	33.5 cu. in.	3/8" NPTF	10,000 psi	15 lbs.
Single-Acting	PA9H	40-120 psi	35 cu. in.	33.5 cu. in.	3/8" NPTF	10,000 psi	15 lbs.