

MAC Multi-Application Crane

- **Over/Under Lifting Capability**
- **2000 lbs Capacity**



Meyer Hydraulics gives you the most adaptable piece of equipment in its field. The **MAC** can save precious time and manpower on YOUR unique and often awkward lifting situations. The **MAC's** ability to assist in an infinite variety of applications leaves you with only one question...

Can you afford to "get by" without it?

- **Removable Forks & Boom**
- **Fits through 32" doorways**

Ideal for..

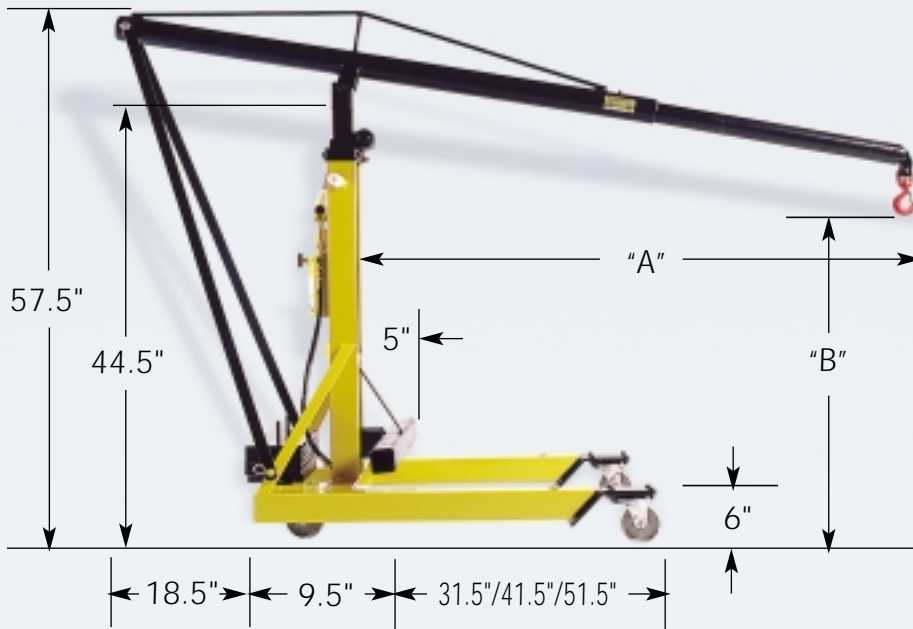
- **Production work**
- **Maintenance work**
- **Material Handling**
- **Utility**



The **MAC** converts to an "under the load" lifter within two minutes. Its deep reaching boom is excellent for "over-hang" work, and the unique arc system maintains maximum clearance from the upright frame to the chain.



ATTN: Engineers, Designers & the Creative-Minded



The Boom

- The swivel hook can be removed so that YOUR custom "hook-up" devices can be used.
- Remove the boom from the 2½" square vertical post tube and drop in YOUR own specially designed lifting platform

Removable Boom Position	Position 1	Position 2	Position 3	Position 4
Capacity	2000 lbs.	1500 lbs.	1000 lbs.	500 lbs.
"A" Hook to Frame Distance				
Lowest Point	37"	45"	53"	60"
Horizontal	38.5"	46.5"	54.5"	62.5"
Highest Point	27"	33"	39"	45.5"
"B" Hook to Floor Distance				
Lowest Point	34"	32.5"	30"	28"
Highest Point	93"	98"	103.5"	108.5"
Maximum Load with Legs Retracted				
Without a counter-weight system	540 lbs.	300 lbs.	210 lbs.	165 lbs.
With the MAC-CWX	855 lbs.	540 lbs.	350 lbs.	260 lbs.
With the MAC-CWX & the MAC-CW7	1063 lbs.	699 lbs.	442 lbs.	323 lbs.



The Forks

- A 1" hole at the tip of the forks can be used for YOUR custom designed holders, plates, etc.
- Remove the forks & the 2½" square tube cross member is ready to receive YOUR custom designed lifting device.

Removable Forks

Capacity at 12"	2000 lbs.
Usable Depth	20"
Lifting Range	2" to 25"
Lifting Range with forks overturned	13" to 36"
Width Adjustment	5" to 41"



Distributed by: **OTTO SERVICE**

2014 Burbank Bl. • Burbank, CA 91506 U.S.A.

Phone: 818-845-3928 or Fax: 818-842-0761

Visit our web site at: www.hyjacks.com

